

# ROAD RACING APPLICATIONS

HI-TECH BRAKE SOLUTIONS MADE IN EUROPE

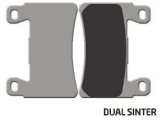


GO AHEAD

## KAWASAKI ZX-6R 636 Ninja



860S-1 & 860S-2



DUAL SINTER



### KAWASAKI

ZX-6R	636 Ninja	13 - 18
ZX-6R	636 Ninja Upgrade DS	13 - 18
ZX-6R	636 Ninja ABS	13 - 21
ZX-6R	636 Ninja ABS Upgrade DS	13 - 21

### COMPOUND CHOICE



	DS-1	DS-2	DC	RST
894*			△	△
860*	△	△		
894*			△	△
860*	△	△		

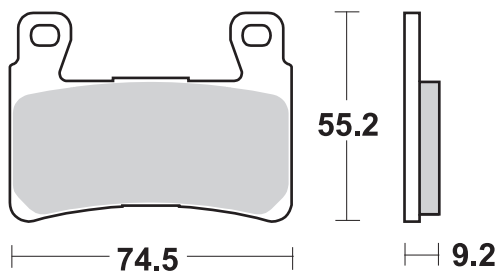
### COMPOUND CHOICE



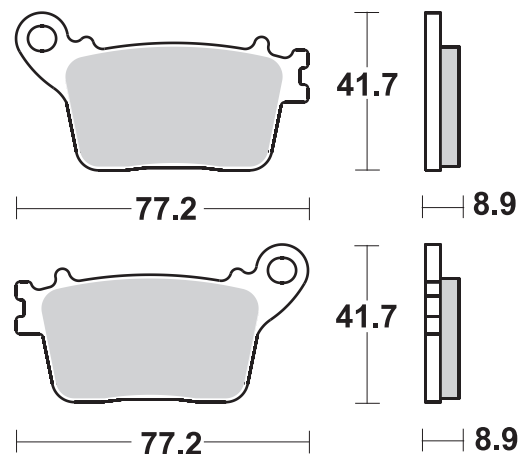
	RQ	LS
834	△	△
834	△	△
834	△	△
834	△	△

\* = 2 sets required / △ = Available compounds

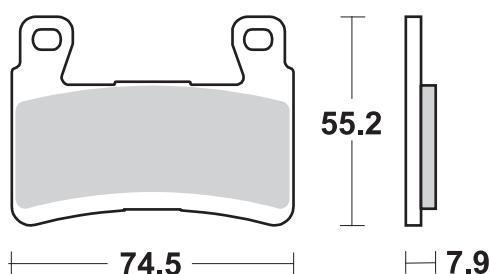
### SBS 860 DS-1 • DS-2



### SBS 834 RQ • LS



### SBS 894 DC • RST



@sbsbrakes | sbsbrakes.com | #GoAhead